

## **MODULAR CABINET ASSEMBLY INSTRUCTIONS** **INSTRUCTIONS D'ASSEMBLAGE DES CABINETS** **MODULAIRES**

Please use this manual in conjunction with your main manual to properly assemble your built-in grill. Refer to the main manual for operating, cleaning, and maintenance instructions. This grill is designed for **NON-COMBUSTIBLE** enclosures only, and must be installed and serviced by a qualified installer to local codes.

Afin d'assembler correctement votre gril encastré, veuillez vous référer à ce manuel ainsi qu'au manuel principal. Consultez ce dernier pour les instructions d'opération, de nettoyage et d'entretien. Ce gril convient uniquement à des cabinets **INCOMBUSTIBLES** et il doit être installé et entretenu par un installateur qualifié en respectant les codes locaux.

**Napoleon Appliance Corp.,**  
214 Bayview Dr., Barrie, Ontario, Canada L4N 4Y8 Phone: (705)726-4278  
Fax: (705)725-2564 email: [wecare@napoleonproducts.com](mailto:wecare@napoleonproducts.com) web site: [www.napoleongrills.com](http://www.napoleongrills.com)

**RETAIN THIS MANUAL FOR FUTURE REFERENCE.**  
**GARDER CE LIVRE POUR RÉFÉRENCES FUTURES.**



NAPOLEON gas grills are manufactured under the strict Standard of the world recognized ISO 9001-2008 Quality Assurance Certificate. NAPOLEON products are designed with superior components and materials, and are assembled by trained craftsmen who take great pride in their work.



## NAPOLEON PRESIDENT'S LIMITED LIFETIME WARRANTY

NAPOLEON warrants the following materials and workmanship in your new NAPOLEON product against defects for as long as you own it. This covers: stainless steel panels, stainless steel drawer fronts. Subject to the following conditions. During the first ten years NAPOLEON will provide replacement parts at our option free of charge. From the eleventh year to lifetime NAPOLEON will provide replacement parts at 50% of the current retail price.

Components such as the leveling feet, pivot rods, hoses and connectors, fasteners and accessories are covered and NAPOLEON will provide parts free of charge during the first year of the limited warranty. NAPOLEON shall not be liable for any transportation charges, labour costs or export duties.

## CONDITIONS AND LIMITATIONS

"NAPOLEON warrants its products against manufacturing defects to the original purchaser only, provided that the purchase was made through an authorized NAPOLEON dealer and is subject to the following conditions and limitations:"

This factory warranty is non-transferable and may not be extended what-so-ever by any of our representatives.

The gas grill must be installed by a licenced, authorized service technician or contractor. Installation must be done in accordance with the installation instructions included with the product and all local and national building and fire codes.

This limited warranty does not cover damages caused by misuse, lack of maintenance, grease fires, hostile environments, accident, alterations, abuse or neglect and parts installed from other manufacturers will nullify this warranty.

This limited warranty further does not cover any scratches, dents, painted finishes, corrosion or discolouring by heat, abrasive and chemical cleaners, nor chipping on porcelain enamel parts, nor any components used in the installation of the gas grill.

Should deterioration of parts occur to the degree of non-performance within the duration of the warranted coverage, a replacement part will be provided.

In the first year only, this warranty extends to the replacement of warranted parts which are defective in material or workmanship provided that the product has been operated in accordance with the operation instructions and under normal conditions.

After the first year, with respect to this President's Limited Lifetime Warranty NAPOLEON may, at its discretion, fully discharge all obligations with respect to this warranty by refunding to the original warranted purchaser the wholesale price of any warranted but defective part(s).

**NAPOLEON will not be responsible for the installation, labour or any other costs or expenses related to the re-installation of a warranted part, and such expenses are not covered by this warranty.**

Notwithstanding any provision contained in this President's Limited Lifetime Warranty NAPOLEON's responsibility under this warranty is defined as above and it shall not in any event extend to any incidental, consequential, or indirect damages.

This warranty defines the obligation and liability of NAPOLEON with respect to the NAPOLEON gas grill and any other warranties expressed or implied with respect to this product, its components or accessories are excluded.

NAPOLEON neither assumes, nor authorizes any third party to assume, on its behalf, any other liabilities with respect to the sale of this product. NAPOLEON will not be responsible for: over firing, blow outs caused by environmental conditions such as strong winds, or inadequate ventilation,

Any damages to the gas grill due to weather damage, hail, rough handling, damaging chemicals or cleaners will not be the responsibility of NAPOLEON.

The bill of sale or copy will be required together with a serial number and a model number when making any warranty claims from NAPOLEON.

NAPOLEON reserves the right to have its representative inspect any product or part prior to honouring any warranty claim.

NAPOLEON shall not be liable for any transportation charges, labour costs, or export duties.

## PLANNING YOUR NAPOLEON MODULAR OUTDOOR ISLAND

The Napoleon Outdoor Modular Island series has been developed with versatility in mind. The cabinets can be assembled in virtually any combination to suit your individual needs. They can be assembled against a house wall or as a standalone island, becoming the focal point of your backyard. With multi-function and storage capabilities, your backyard island can be transformed into an outdoor kitchen, placing the host in the center of the action when entertaining guests. The built-in grill cabinets are suitable for Mirage Series Grills only.

The cabinets are designed to be easy to assemble and install for either the home owner or private contractor. All cabinets are 35" tall by 24" deep. All cabinets are 24" wide except for the built-in grill cabinets whose width correspond to the width of the unit it was designed for. Each cabinet has 4 leveling feet for adjustment on even surfaces. The 2 drawer cabinets are made to fit the Napoleon Mirage series of grills only. The Mirage series of grills come in 3 different sizes, each with a self contained drippan to prevent grease drippings from entering the drawers below. Refer to the installation manuals that come with the grill head for proper installation and operating instructions.

The Mirage built-in series of grills can be ordered in your choice of propane or natural gas configuration. Natural gas is an obvious selection for many people that already have it available in their home. All gas modifications or installations must be done by a qualified gas installer. Knockouts are present in the side and rear panels for easy piping and installation. For those who order a propane grill, a propane tank cabinet is available.

The cabinets can be installed against a **NON-COMBUSTIBLE** wall of a house, a masonry or stucco half-wall, or freestanding in an island configuration. An optional 4" spacer panel must be purchased and installed when placing an island against a wall to allow clearance for the grill lid to open. The spacer also provides closure for the cabinet to prevent debris or rodents from entering behind the cabinets. A powdercoated, 2" wide end panel can be purchased to cover the knockouts and mounting holes in the outside panels in a run of cabinets, giving a more finished look.

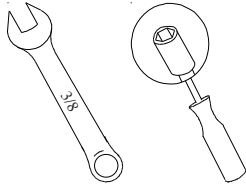
Optional built-in sideburner kits are available through your Napoleon Gas Grill dealer. These sideburner kits are an excellent complement to the Mirage Built-in series of grills. We recommend that the sideburner kit be installed over top of the IM-2DC cabinet. It has the false drawer front at the top of the cabinet which allows clearance for the sideburner valve and hose routing. The IM-2DC cabinet also provides the necessary clearance for those who would like to install a sink in their outdoor kitchen.

Cabinet IM-FDC has been designed to have a fridge installed inside of it. It is made by Danby, model DAR-259BL (black) or DAR-259W (white), 2.5 cu.ft capacity.

Countertops must be ordered and supplied locally by the homeowner. The countertop material must be **NON-COMBUSTIBLE** if a grill is to be installed into it. They can be ordered in advance by drawing out the floorplan of how the cabinets will be situated and adding up the width measurements, allowing 1-2 inches of countertop overhang. Most countertop manufacturers are willing to come and take measurements after assembly of the cabinets is complete to ensure a perfect fit. For best results the countertop thickness should be between 1/2 to 1 1/2" thick. The built-in grillhead comes with stainless steel brackets and hardware that allow the unit to rest on the countertop above the corresponding island cabinet for that unit. Granite or Corian are excellent choices of countertop materials. Decorative countertops made of ceramic tile set on top of cement tiling board can be made to match your surrounding backyard furniture colors.

## TOOLS REQUIRED

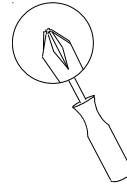
Check for missing or damaged parts before you begin and consult your local retailer if necessary.



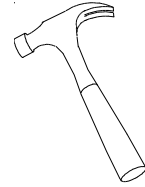
3/8 WRENCH  
OR NUTDRIVER



ADJUSTABLE  
WRENCH



PHILIPS  
SCREWDRIVER

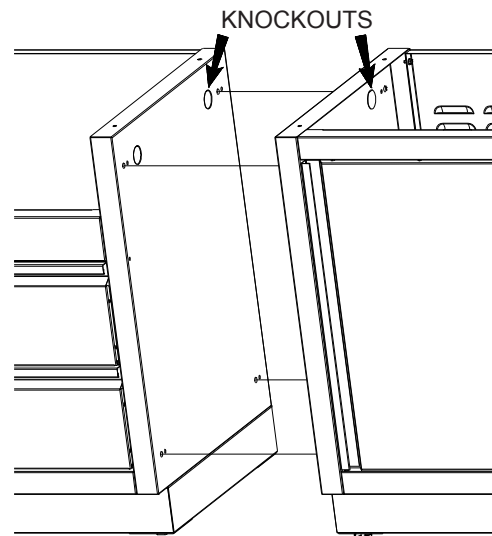


HAMMER

## GAS AND ELECTRICAL PIPING

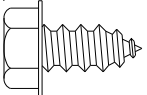
The piping up to the gas grill is the responsibility of the installer and piping should be located as shown in the built-in instructions. Do not use hose to connect the unit. It must be connected with either rigid pipe, copper tube or an approved flexible metal connector. The installation must comply with CAN B149.1 Natural Gas and Propane installation code in Canada, or to the National Fuel Gas code, ANSI Z223.1 in the United States. The minimum recommended piping size is NPS 1/2" for rigid pipe, and 1/2" OD for copper tubing (based on a 20 ft run). Longer runs may require larger sizes to conform with CAN B149.1. Propane Gas Installation Code in Canada or to the National Fuel Gas Code, ANSI Z223.1 in the United States. Look to the manual that came with the gas grill for further instructions.

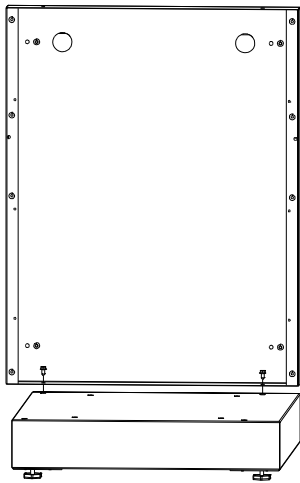
To ease installation and piping, removable knockouts have been provided in the side panels and in the center of each backpanel. The knockouts in the side panels should be removed before the cabinets are bolted in a row. Only remove the knockouts that are required for the piping of any gas, plumbing or electrical lines.



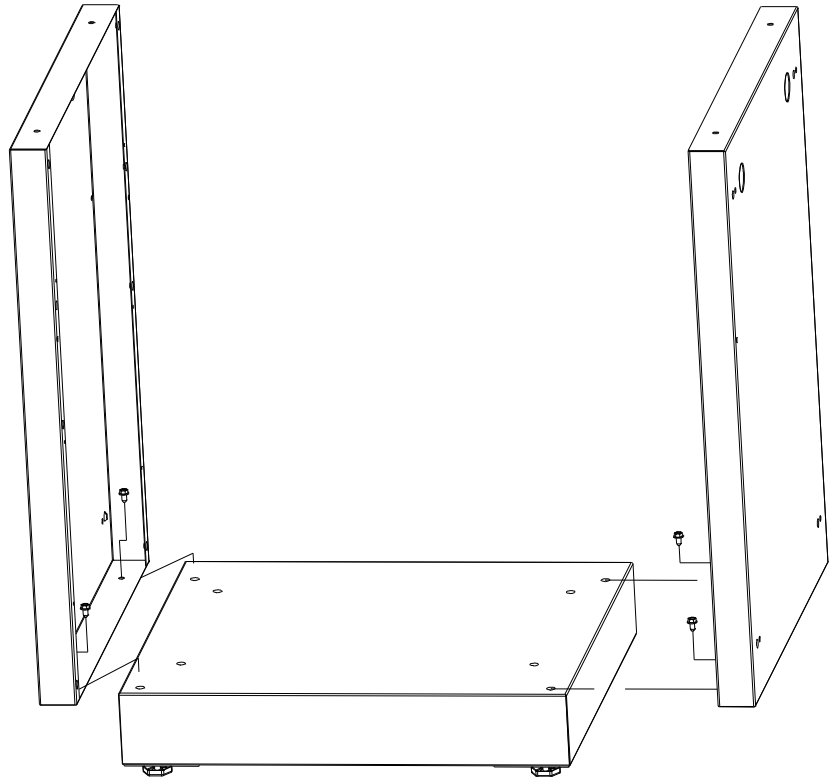
## IM-UDC

### SIDE PANEL ASSEMBLY ASSEMBLAGE DES PANNEAUX LATÉRAUX

4 x   
N570-0026 (#14 x 1/2")



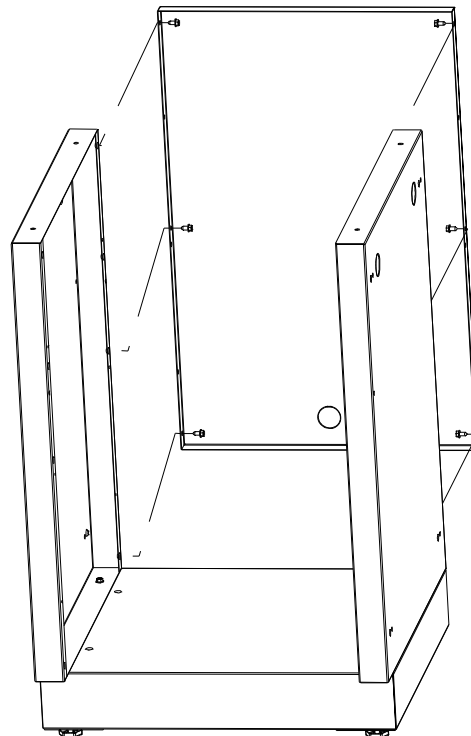
  
ALIGN REAR  
EDGES  
ALIGNEZ LES  
BORDS  
ARRIÈRE



## IM-UDC

### REAR PANEL ASSEMBLY ASSEMBLAGE DU PANNEAU ARRIÈRE

6 x   
N570-0026 (#14 x 1/2")

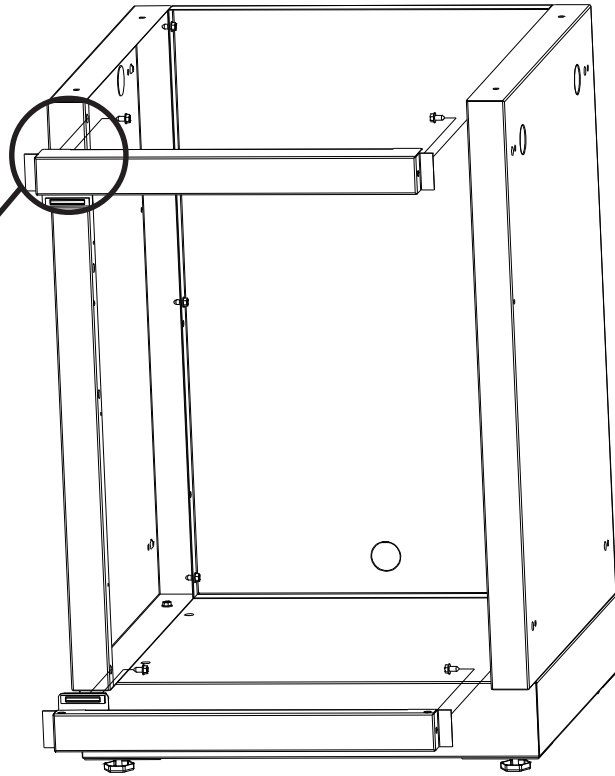
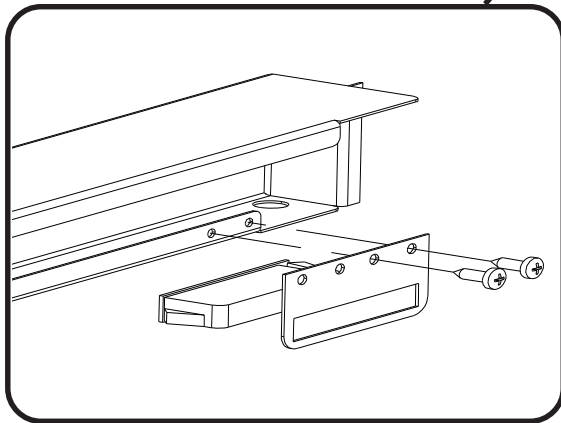


**IM-UDC**

**TOP / BOTTOM RAIL ASSEMBLY  
ASSEMBLAGE DES RAILS SUPÉRIEUR ET INFÉRIEUR**

4 x   
N570-0026 (#14 x 1/2")

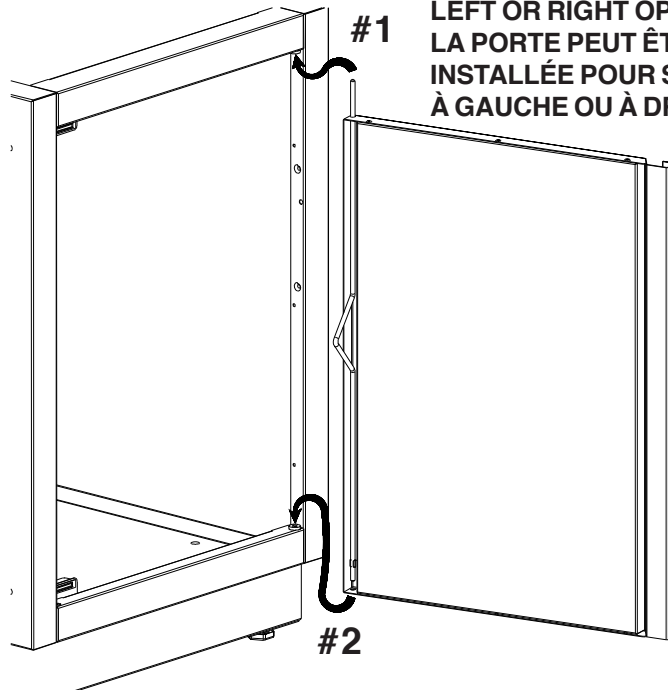
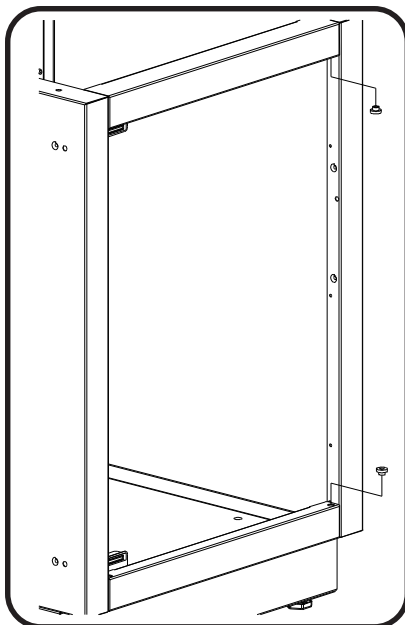
4 x   
N570-0013 (#8 x 1/2")



**IM-UDC**

**CABINET DOOR ASSEMBLY  
ASSEMBLAGE DE LA PORTE DU CABINET**

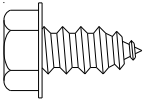
2 x   
N105-0011



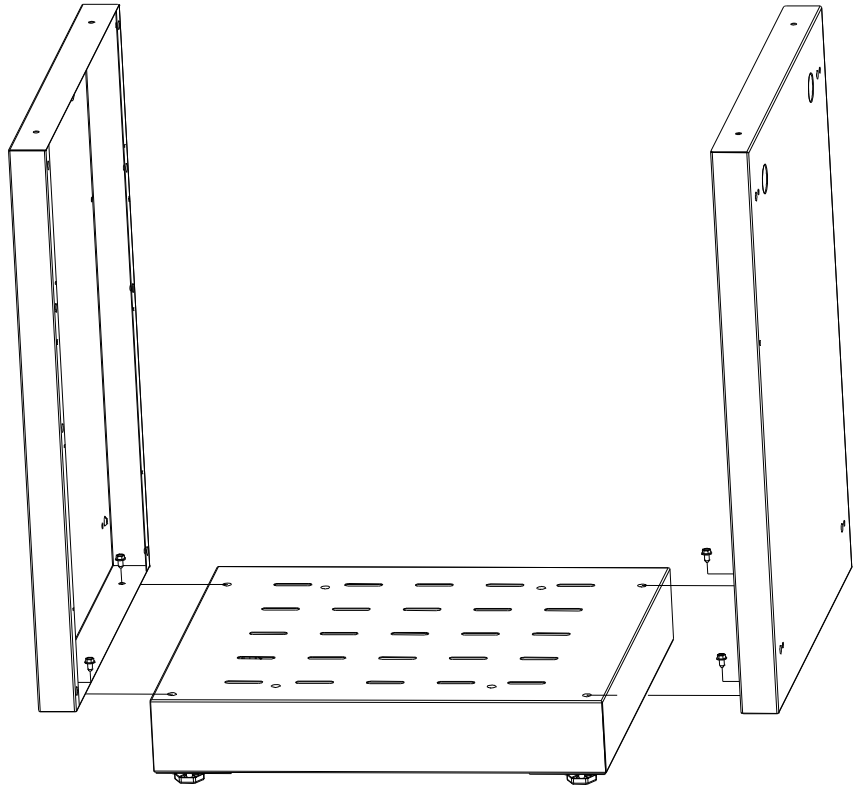
DOOR CAN BE MOUNTED AS  
LEFT OR RIGHT OPENING  
LA PORTE PEUT ÊTRE  
INSTALLÉE POUR S'OUVRI  
À GAUCHE OU À DROITE

**IM-UTC**

**SIDE PANEL ASSEMBLY  
ASSEMBLAGE DES PANNEAUX LATÉRAUX**

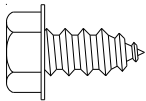


**4 x  
N570-0026 (#14 x 1/2")**

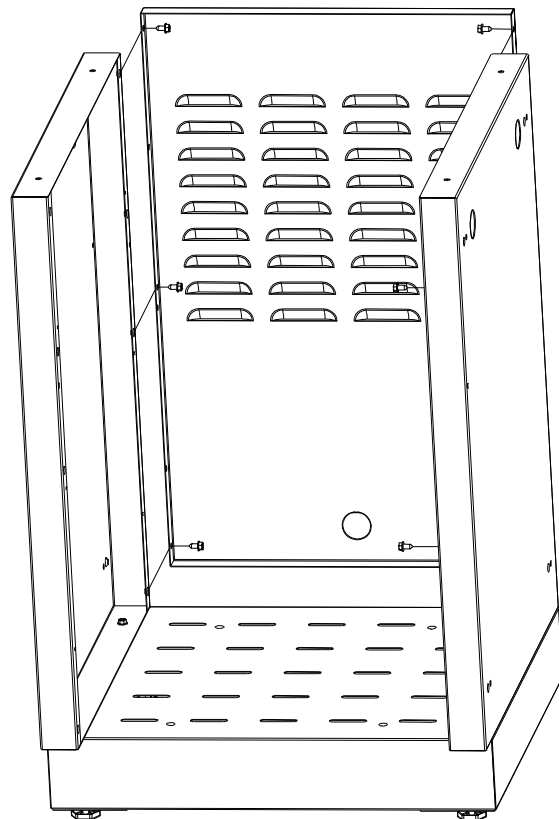


**IM-UTC**

**REAR PANEL ASSEMBLY  
ASSEMBLAGE DU PANNEAU ARRIÈRE**

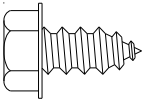


**6 x  
N570-0026 (#14 x 1/2")**

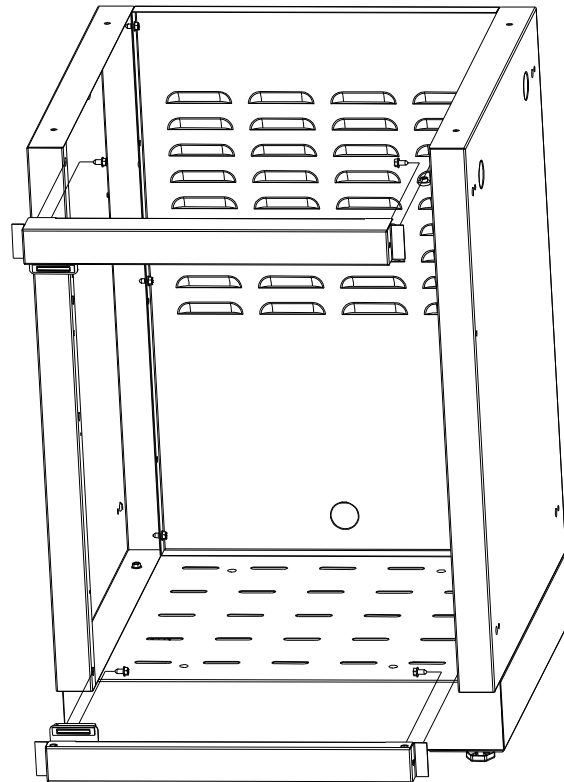
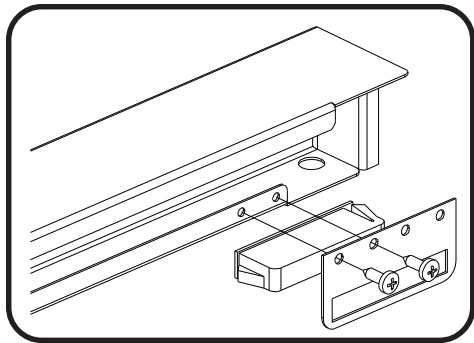


**IM-UTC**

**TOP / BOTTOM RAIL ASSEMBLY  
ASSEMBLAGE DES RAILS SUPÉRIEUR ET INFÉRIEUR**

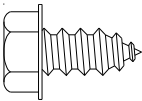
4 x   
N570-0026 (#14 x 1/2")

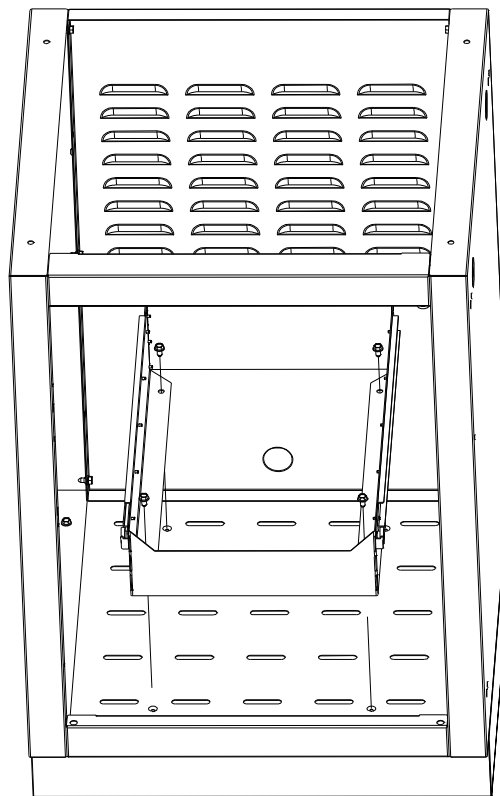
4 x   
N570-0013 (#8 x 1/2")



**IM-UTC**

**PROPANE TANK SLIDER ASSEMBLY  
ASSEMBLAGE DE LA GLISSIÈRE POUR RÉSERVOIR DE PROPANE**

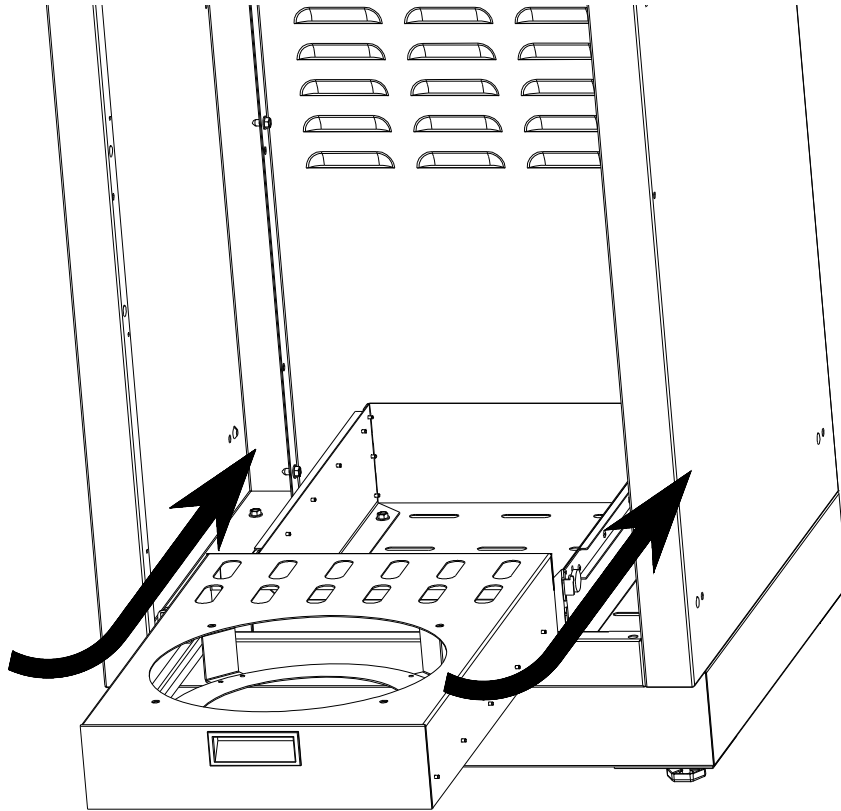
4 x   
N570-0026 (#14 x 1/2")





**IM-UTC**

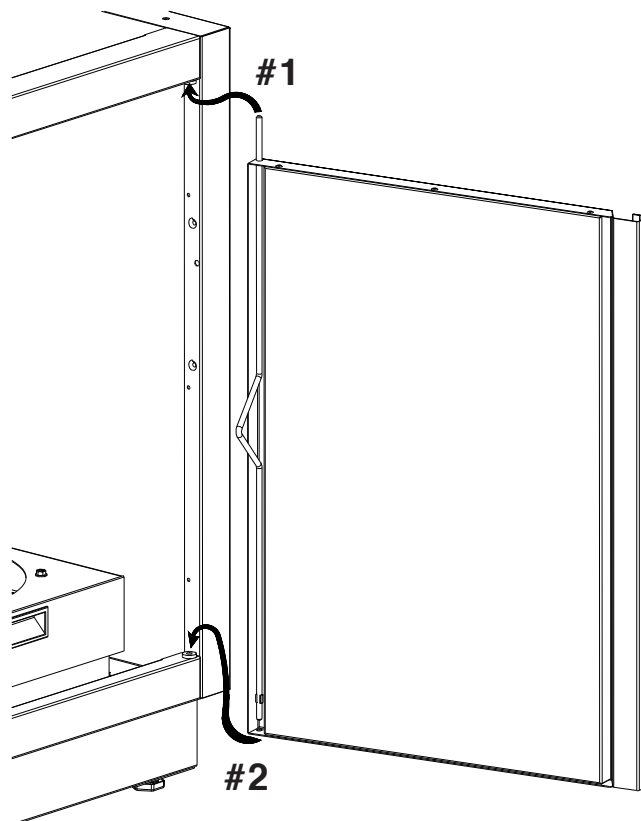
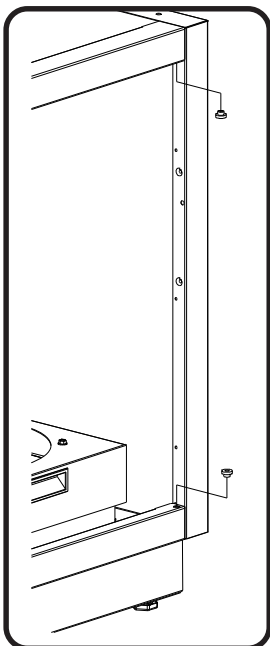
**PROPANE TANK DRAWER INSTALLATION  
INSTALLATION DE LA TABLETTE POUR RÉSERVOIR DE PROPANE**

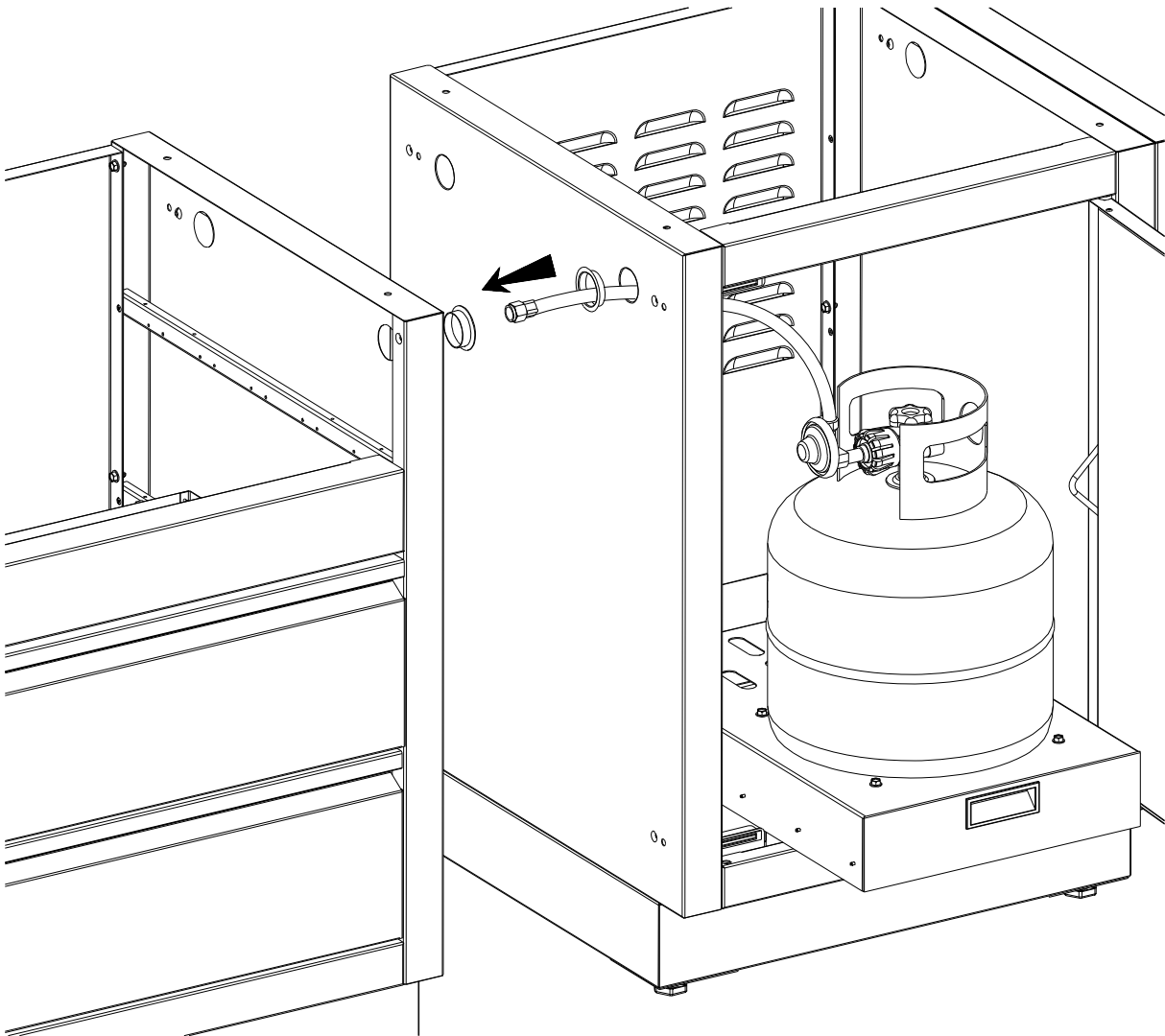


**IM-UTC**

**CABINET DOOR ASSEMBLY  
ASSEMBLAGE DE LA PORTE DU CABINET**

2 x  
N105-0011

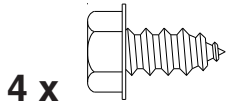




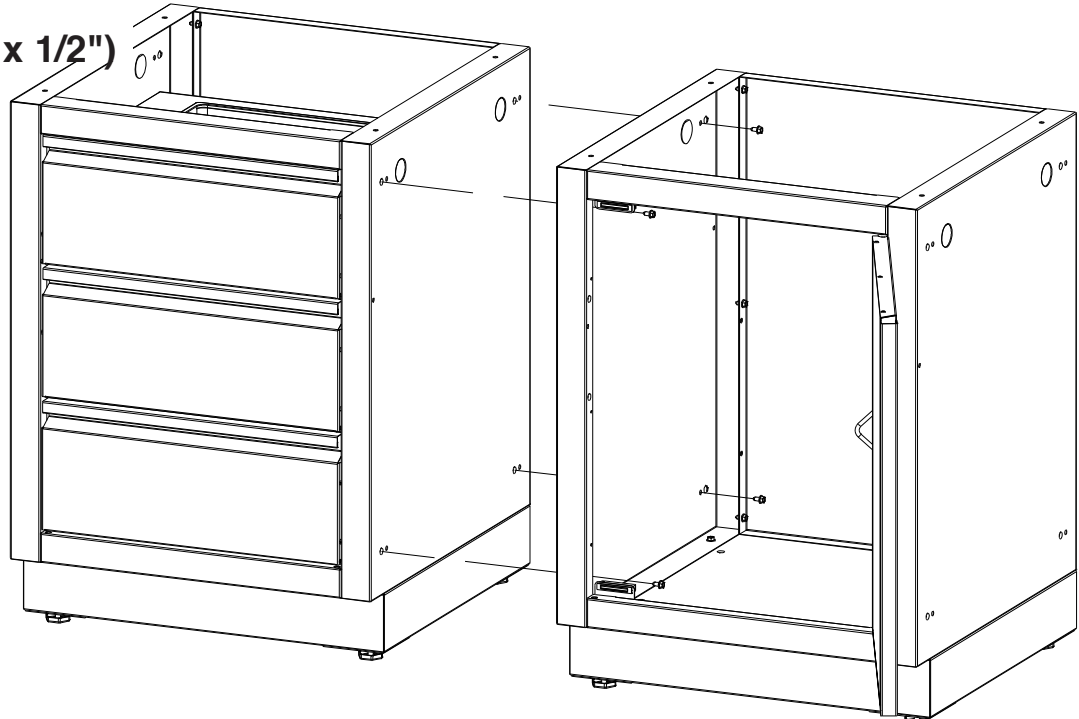
The gas connection of the Mirage series grills is at the left of the control panel. Placing the tank enclosure cabinet to the left of the unit cabinet will make for easier gas piping. Knockouts have been punched in the sides and back panels to provide easy routing of gas or electrical piping. Once the knockout has been removed a bushing must be installed to prevent the gas or electrical line being cut on the edge of the hole. Gas piping and installation must be done by a qualified gas installer.

Le branchement du gaz des grills Napoléon se trouve à la gauche du panneau de contrôle. Placer le cabinet pour réservoir de propane à gauche du cabinet pour grill simplifiera l'installation de la tuyauterie pour le gaz. Des plaques ont été poinçonnées dans les panneaux latéraux et arrière pour faciliter l'installation de l'alimentation électrique et de la tuyauterie pour le gaz. Une fois les plaques poinçonnées enlevées, une bague doit y être insérée pour éviter que les conduites de gaz ou les fils électriques ne s'endommagent sur les bords de l'ouverture. L'installation de la tuyauterie pour le gaz doit être faite par un installateur de gaz qualifié.

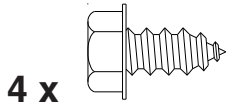
**CABINET TO CABINET ASSEMBLY**  
**INSTALLATION DE CABINETS CÔTE À CÔTE**



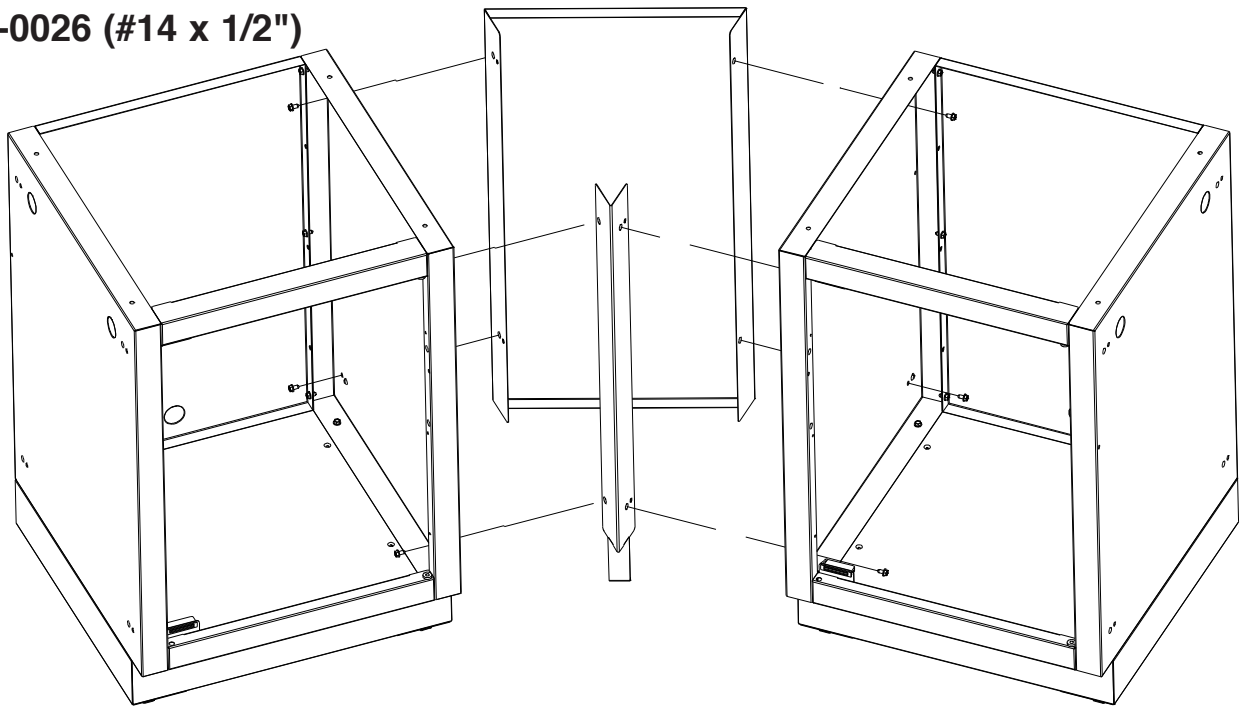
**4 x**  
**N570-0026 (#14 x 1/2")**



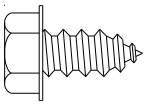
**IM-45T**      **CABINET 45 DEGREE CONNECTION**  
**RACCORDEMENT DE CABINETS À 45 DEGRÉS**

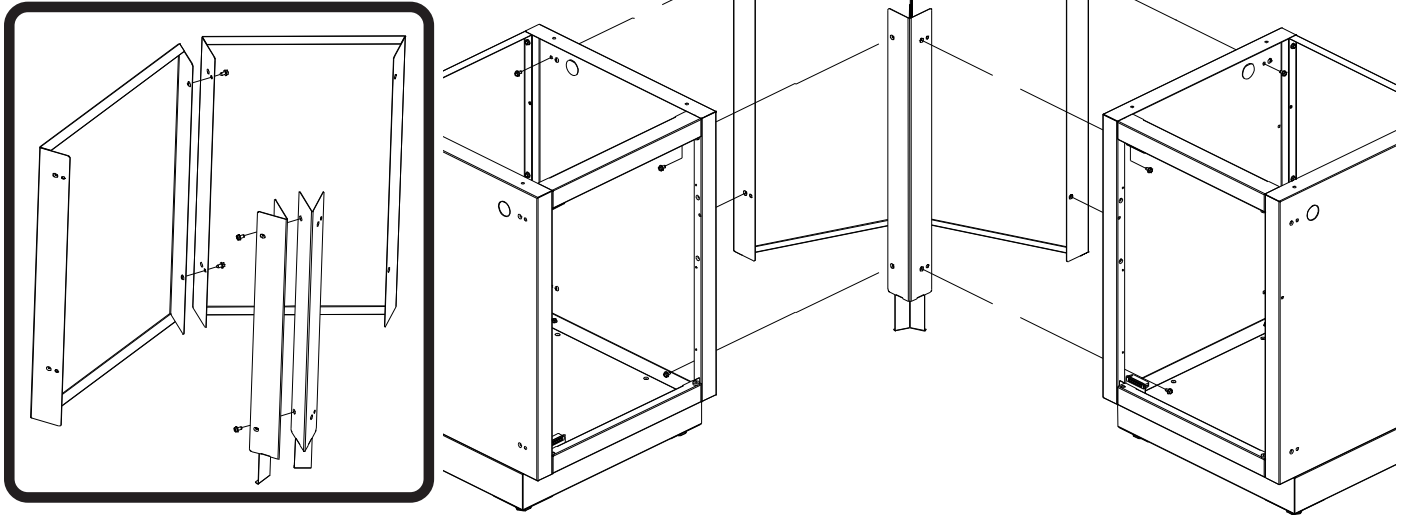


**4 x**  
**N570-0026 (#14 x 1/2")**



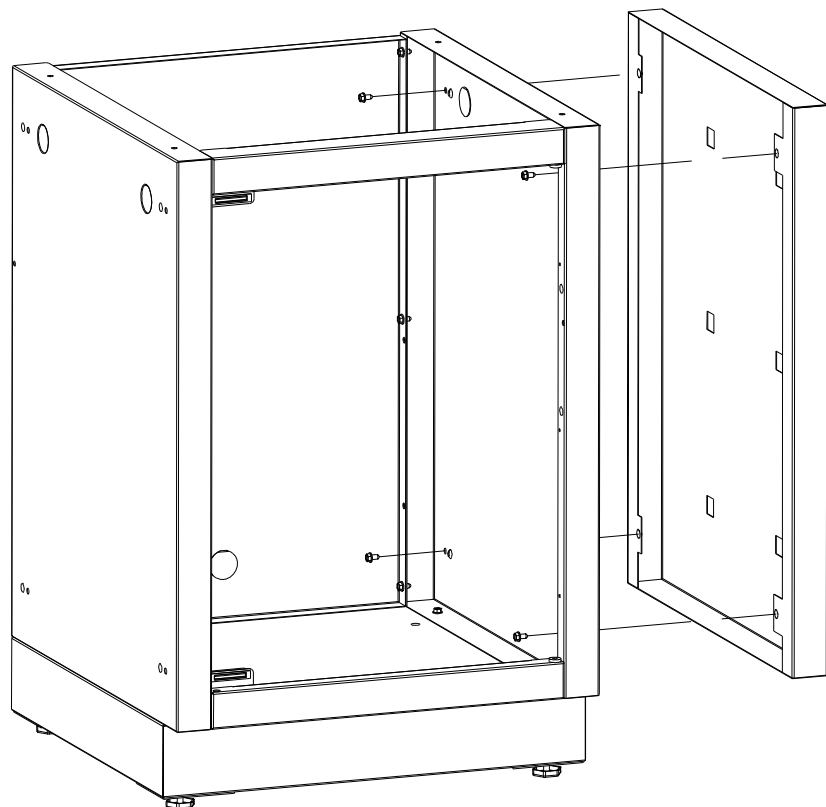
**IM-45T x 2** CABINET 90 DEGREE CONNECTION  
RACCORDEMENT DE CABINETS À 90 DEGRÉS

12 x   
N570-0026 (#14 x 1/2")



**IM-CEP** CABINET END PANEL KIT  
ENSEMBLE DE PANNEAU D'EXTRÉMITÉ

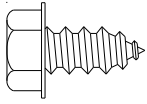
4 x   
N570-0026 (#14 x 1/2")



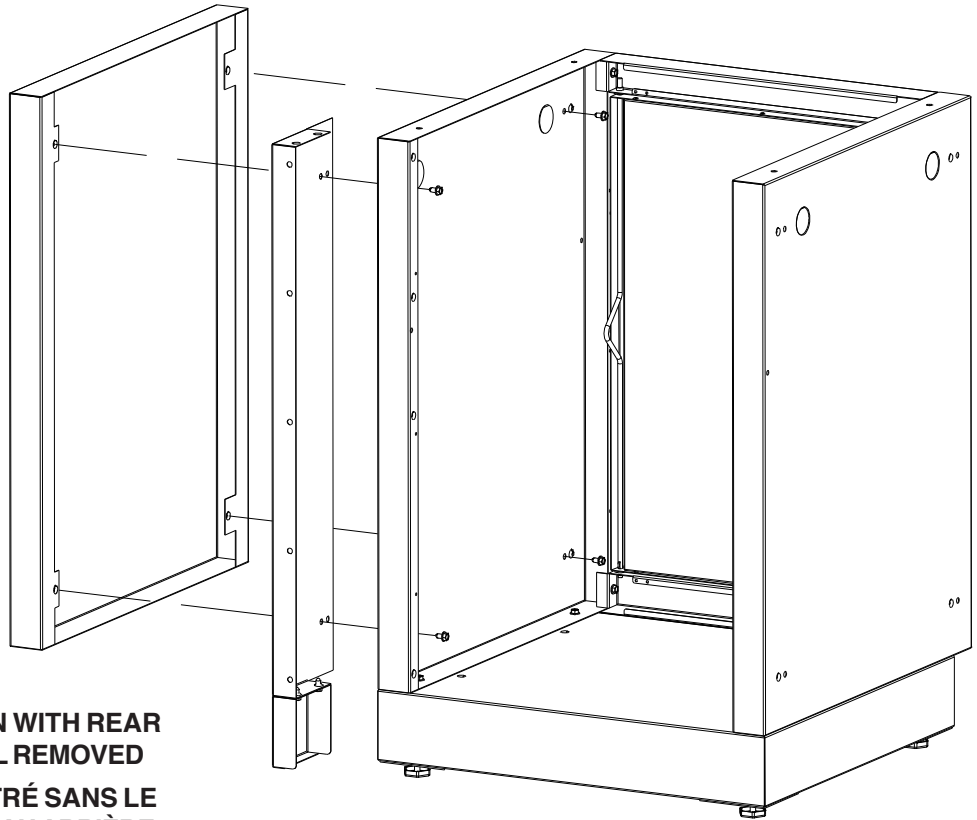
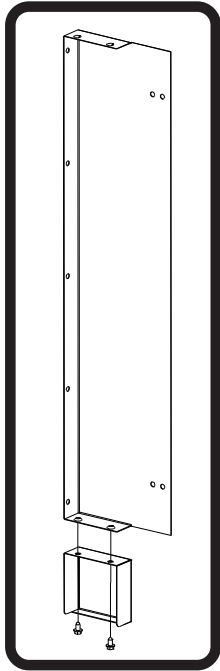
**IM-CEP**

**CABINET END PANEL KIT  
ENSEMBLE DE PANNEAU D'EXTRÉMITÉ**

6 x



**N570-0026 (#14 x 1/2")**

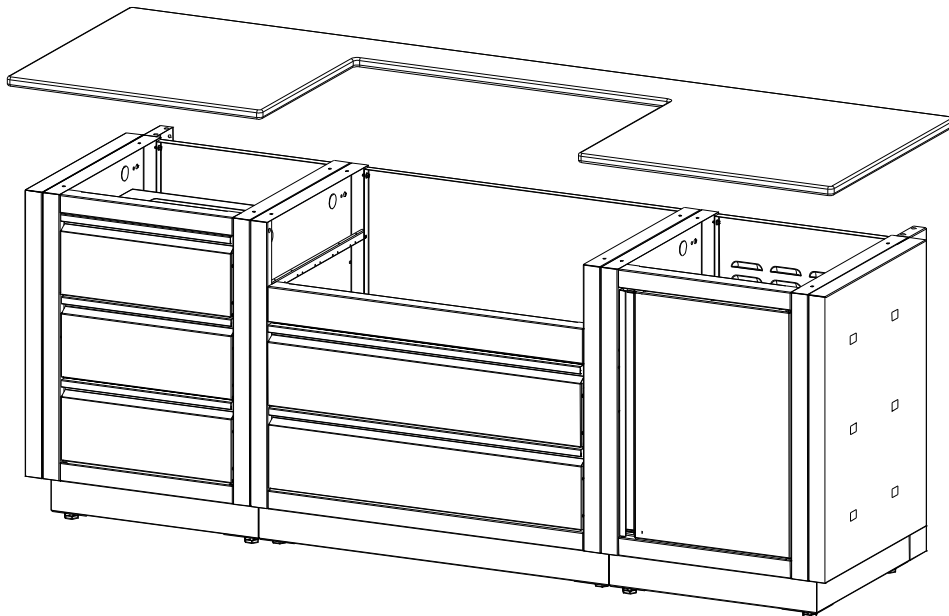


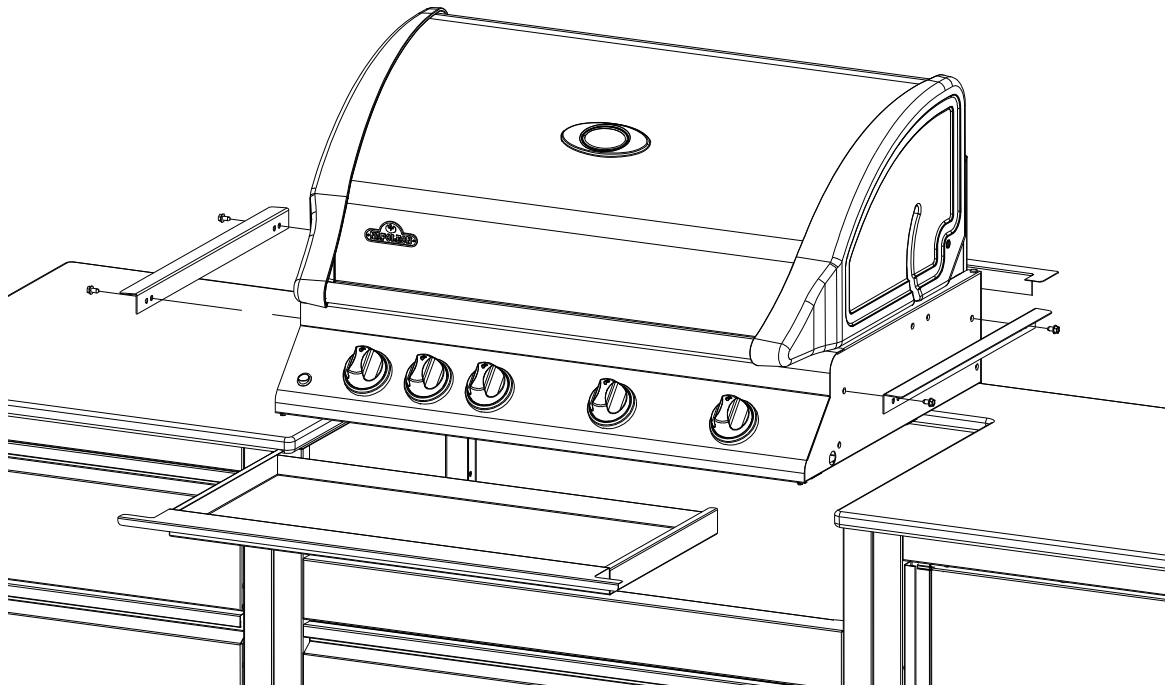
**SHOWN WITH REAR  
PANEL REMOVED**

**ILLUSTRÉ SANS LE  
PANNEAU ARRIÈRE**

**COUNTERTOP TO BE FASTENED AS PER MANUFACTURER'S INSTRUCTIONS. HOLES HAVE BEEN PLACED ON THE TOP FLANGE OF THE SIDE PANELS TO ALLOW FOR FASTENERS.**

**FIXEZ LE COMPTOIR EN RESPECTANT LES DIRECTIVES DU FABRICANT. DES TROUS ONT ÉTÉ MÉNAGÉS DANS LE REBORD SUPÉRIEUR DES PANNEAUX LATÉRAUX POUR Y INSÉRER LES PIÈCES DE FIXATION.**

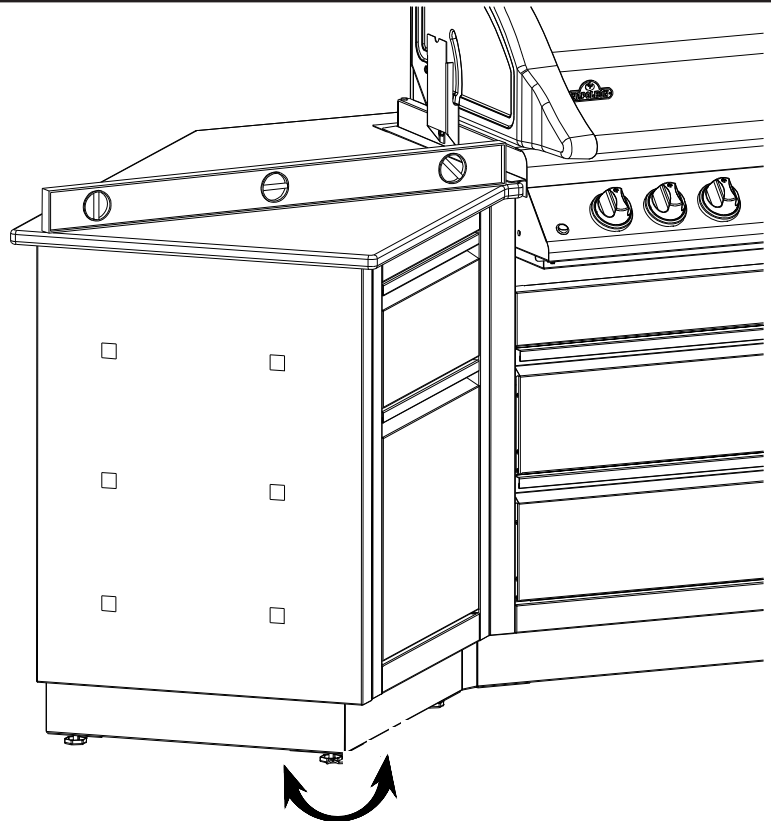
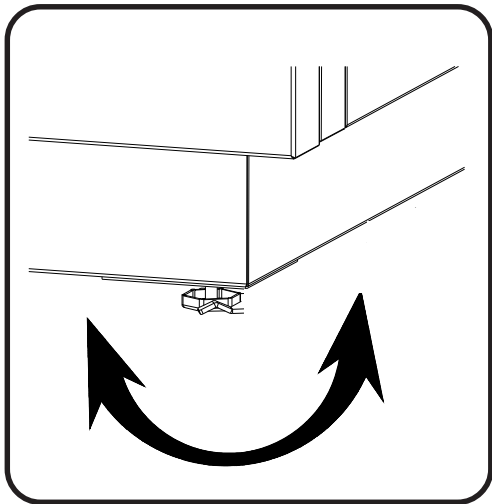




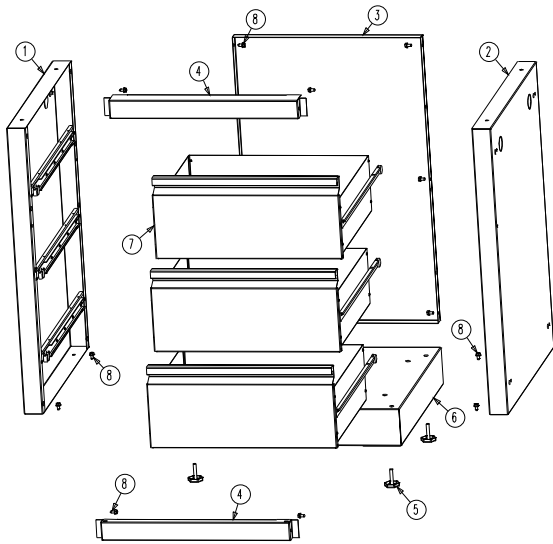
**REFER TO BUILT-IN MANUAL THAT ACCOMPANIES THE GRILL FOR COMPLETE INSTRUCTIONS.  
GAS PIPING MUST BE DONE BY A LICENSED GAS INSTALLER.**

**POUR DES DIRECTIVES COMPLÈTES, CONSULTEZ LE MANUEL QUI ACCOMPAGNE LE GRIL ENCASTRÉ.  
LA TUYAUTERIE POUR LE GAZ DOIT ÊTRE INSTALLÉE PAR UN INSTALLATEUR POUR LE GAZ AUTORISÉ.**

**CABINET LEVELING PROCEDURE  
MISE DE NIVEAU DU CABINET**

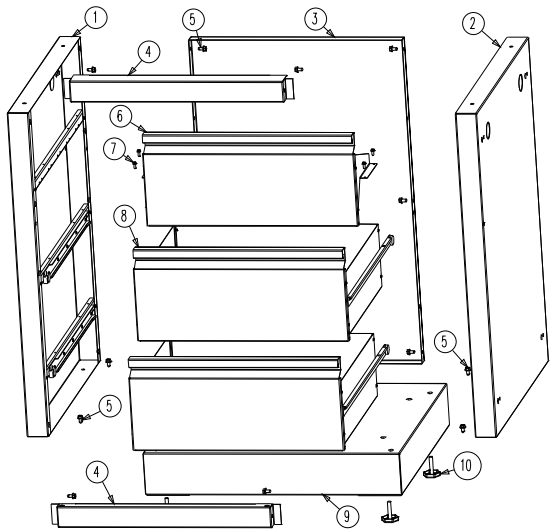






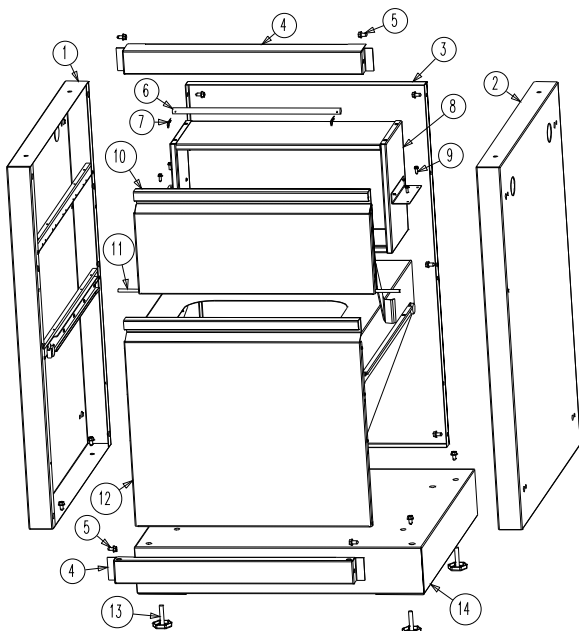
### IM-3DC

#	Part #	Description
1	n010-0678	side panel left / panneau avant gauche
2	n010-0678	side panel right / panneau avant droite
3	n475-0224p	back panel / panneau arrière
4	n525-0018p	rail, top/bottom / support superior/inferieur
5	n570-0031	leveling foot / mise à niveau du pied
6	n010-0575p	assembly, bottom shelf / ensemble de tablette inférieur
7	n010-0677	draw er assembly / assemblage du tiroir
8	n570-0026	screw , #14 x 1/2" / ecrou #14 x 1/2"



### IM-2DC

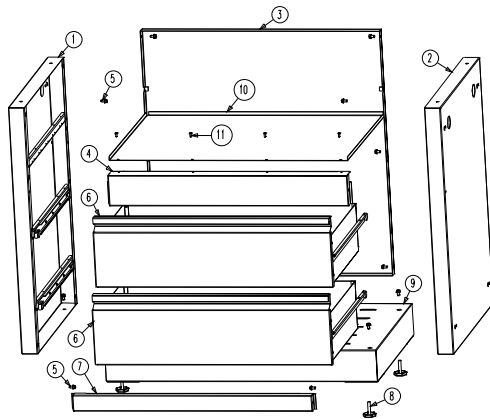
#	Part #	Description
1	n010-0678	side panel left / panneau avant gauche
2	n010-0678	side panel right / panneau avant droite
3	n475-0224p	back panel / panneau arrière
4	n525-0018p	rail, top/bottom / support superior/inferieur
5	n570-0026	screw , #14 x 1/2" / ecrou #14 x 1/2"
6	n010-0574	false draw er front / avant faux de tiroir
7	n570-0013	screw , #8 x 1/2" / ecrou #8 x 1/2"
8	n010-0677	draw er assembly / assemblage du tiroir
9	n010-0575p	assembly, bottom shelf / ensemble de tablette inférieur
10	n570-0031	leveling foot / mise à niveau du pied



### IM-WDC

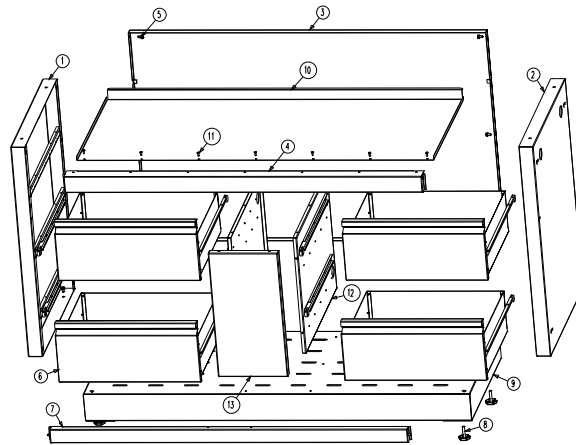
#	Part #	Description
1	n010-0678	side panel left / panneau avant gauche
2	n010-0678	side panel right / panneau avant droite
3	n475-0224p	back panel / panneau arrière
4	n525-0018p	rail, top/bottom / support superior/inferieur
5	n570-0026	screw , #14 x 1/2" / ecrou #14 x 1/2"
6	n555-0032	paper tow el rod / tige pour essuie-tout
7	n485-0012	cotter pin / écrou
8	n010-0576p	paper tow el housing assembly / assemblage de la porte du compartiment à essuie-tout
9	n570-0008	screw , #8 x 1/2" / écrou #8 x 1/2"
10	n010-0578	paper tow el door assembly / assemblage de compartiment pour essuie-tout
11	n555-0031	pivot rod / tige-pivot
12	n010-0679	draw er assembly, trash can / assemblage du tiroir, panier à déchets
13	n570-0031	leveling foot / mise à niveau du pied
14	n010-0575p	assembly, bottom shelf / ensemble de tablette inférieur





**IM-UGC245/300 / IM-UGC485 / IM-UGC600 / IM-UGC605 / IM-UGC705**

#	245/300	485	450	600	605	730	Description
1	n010-0678	n010-0678	n010-0678	n010-0678	n010-0678	n010-0678	side panel left / panneau avant gauche
2	n010-0678	n010-0678	n010-0678	n010-0678	n010-0678	n010-0678	side panel right / panneau avant droite
3	n475-0224p	n475-0229p	n475-0229p	n475-0256p	n475-0231p	n475-0233p	back panel / panneau arrière
4	n525-0031p	n525-0019p	n525-0025p	n525-0027p	n525-0020p	n525-0021p	top rail / support superior
5	n570-0026	n570-0026	n570-0026	n570-0026	n570-0026	n570-0026	screw , #14 x 1/2" / écrou #14 x 1/2"
6	n010-0677	n010-0680	n010-0680	n010-0681	n010-0682	n010-0683	draw er assembly / assemblage du tiroir
7	n525-0018p	n525-0022p	n525-0022p	n525-0026p	n525-0023p	n525-0024p	bottom rail / support inférieur
8	n570-0031	n570-0031	n570-0031	n570-0031	n570-0031	n570-0031	leveling foot / mise à niveau du pied
9	n010-0575p	n010-0579p	n010-0579p	n010-0628p	n010-0581p	n010-0583p	bottom shelf / tablette inférieur
10	n585-0062p	n585-0050p	n585-0053p	n585-0059p	n585-0051p	n585-0052p	draw er dripshield / écran anti-égouttement pour tiroir
11	n570-0013	n570-0013	n570-0013	n570-0013	n570-0013	n570-0013	screw , #8 x 1/2" / écrou #8 x 1/2"
	n710-0066						drippan, replaces pan included w ith B1300 / tiroir d'égouttement, remplace le tiroir inclus avec le B1300



**IM-UGC750**

#	750	Description
1	n010-0678	side panel left / panneau avant gauche
2	n010-0678	side panel right / panneau avant droite
3	n475-0258p	back panel / panneau arrière
4	n525-0029p	top rail / support superior
5	n570-0026	screw , #14 x 1/2" / écrou #14 x 1/2"
6	n010-0677	draw er assembly / assemblage du tiroir
7	n525-0028p	bottom rail / support inférieur
8	n570-0031	leveling foot / mise à niveau du pied
9	n010-0624p	bottom shelf / tablette inférieur
10	n585-0060p	draw er dripshield / écran anti-égouttement pour tiroir
11	n570-0013	screw , #8 x 1/2" / écrou #8 x 1/2"
12	n475-0260p	draw er slider mounting panel / panneau d'assemblage pour glissière de tiroir
13	n475-0259	cabinet fascia panel / panneau de finition pour cabinet
	n710-0064	drippan, replaces pan included w ith BIPT750 / tiroir d'égouttement, remplace le tiroir inclus avec le BIPT750

## ORDERING REPLACEMENT PARTS

Before contacting the customer care department, check the NAC web site for more extensive cleaning, maintenance, troubleshooting and part replacement instructions at [www.napoleongrills.com](http://www.napoleongrills.com). Contact the factory directly for replacement parts and warranty claims. The customer care department is available between 9 AM and 5 PM (Eastern standard time) at 1-866-820-8686 or fax at 1-705-727-4282. In order to process a claim, we must be provided with the following information:

1. Model and serial number of the unit.
2. Part number and description.
3. A concise description of the problem ('broken' is not sufficient).
4. Proof of purchase (photocopy of the invoice).

In some cases the customer care representative may request to have the parts returned to the factory for inspection, before providing replacement parts. The parts must be shipped prepaid to the attention of the customer care department with the following information:

1. Model and serial number of the unit.
2. A concise description of the problem ('broken' is not sufficient).
3. Proof of purchase (photocopy of the invoice).
4. Return Authorization number - provided by the customer service representative.

Before contacting customer care, please note that the following items are not covered by the warranty:

- costs for transportation, brokerage or export duties
- labor costs for removal and re-installation
- costs for service calls to diagnose problems
- discoloration of stainless steel parts
- part failure due to lack of cleaning and maintenance, or use of improper cleaners (oven cleaner).

## COMMANDE DES PIÈCES DE RECHANGE

Avant de contacter le bureau de service du clientèle, veuillez prendre note, que notre guide de dépannage est maintenant disponible sur le net à [www.napoleongrills.com](http://www.napoleongrills.com). Ici, vous trouver beaucoup d'information comme les instructions de d'opération et de nettoyage et comment remplacer les pièces. Contactez le manufacturier directement pour obtenir des pièces de rechanges et faire des réclamations sur garantie. Le département de service est à votre disposition entre 9 AM et 5 PM (heure normale de l'est) au 1-866-820-8686 ou fax au 1-705-727-4282. Pour qu'une réclamation soit traitée, l'information suivante est nécessaire :

1. Modèle et numéro de série de l'appareil.
2. Numéro de la pièce et description.
3. Une description concise du problème («cassé» n'est pas suffisant).
4. Preuve d'achat (copie de la facture).
5. Avoir en main votre Visa ou Mastercard pour payer les frais d'expédition.

Dans quelques cas, le département du service peut demander de leur retourner la pièce pour des fins d'inspection avant de fournir une pièce de rechange. Les pièces doivent être expédiées port payé à l'attention du département de service avec l'information suivante :

1. Modèle et numéro de série de l'appareil.
2. Une description concise du problème («cassé» n'est pas suffisant).
3. Preuve d'achat (copie de la facture).
4. Un numéro l'autorisation de retour - fourni par le représentant du département de service.

Avant de contacter le département de service, veuillez prendre note que les items suivants ne sont pas couverts par la garantie :

- coûts de transport, bris et frais d'exportation
- main-d'oeuvre pour l'enlèvement et l'installation de la pièce
- coûts des appels de service pour diagnostiquer le problème
- décoloration des pièces en acier inoxydable
- bris des pièces suite à un manque d'entretien ou de maintenance, ou utilisation de nettoyeurs non appropriés (nettoyeur à fourneau)



**FAX TO: 705 727 4282**

**GOURMET GRILLS**

*Award Winning Products*

**ACCESSORIES & PARTS ORDER FORM**

PLEASE PRINT CLEARLY

**CONTACT NAME:** \_\_\_\_\_

**SHIP TO :** \_\_\_\_\_

\_\_\_\_\_  
\_\_\_\_\_  
\_\_\_\_\_

**TEL :** \_\_\_\_\_

**FAX :** \_\_\_\_\_

**EMAIL:** \_\_\_\_\_

**VISA OR MASTERCARD # :** \_\_\_\_\_ **EXPIRY DATE:** \_\_\_\_\_

**SIGNATURE:** \_\_\_\_\_

QUANTITY	PART NUMBER	DESCRIPTION

TAXES MAY APPLY  
SHIPPING EXTRA

**IF CONFIRMATION IS REQUIRED PLEASE INCLUDE A FAX NUMBER OR EMAIL ADDRESS**

